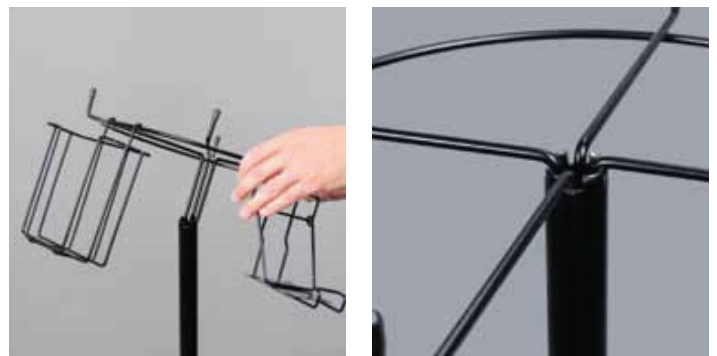


- 1** Install post onto base. Align threads and tighten post securely.



- 2** Insert wire cage into opening on top of post. Align the cage with the slots on top of post so cage does not rotate.



- 3** Insert the tooth pick dispenser by lifting up the moveable wire that holds the unit in place. Once in place, secure the moveable wire on the dispenser.

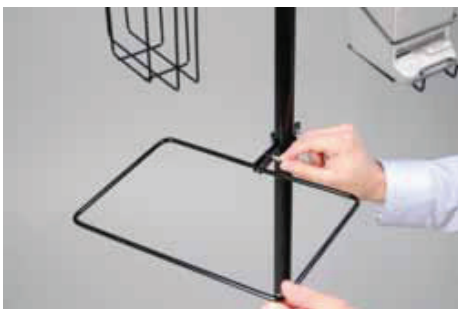


- 4** Complete assembly by placing sampling dome onto cage.

*See dome assembly on reverse side of this sheet

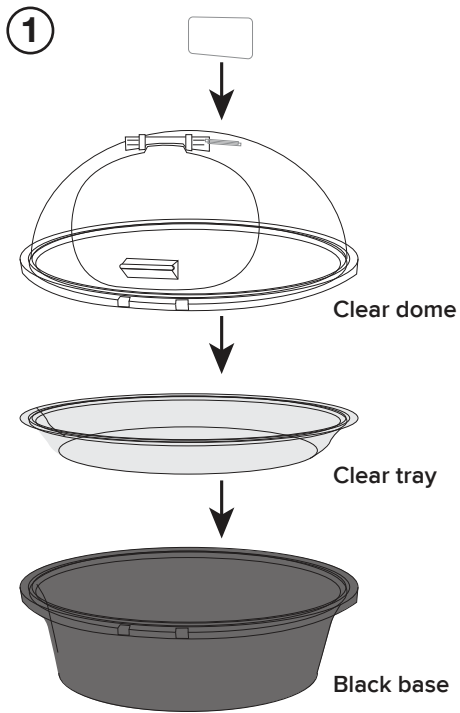


- 5** Attach trash can holder. Remove thumb screws completely from holder and position on post. Insert thumb screws and tighten. Place trash can into holder.

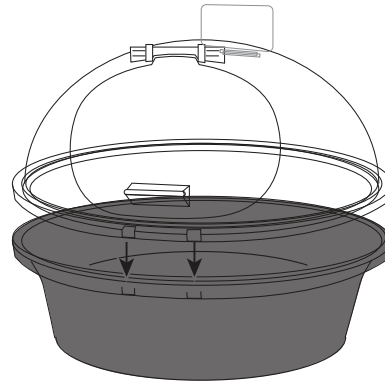


Completed assembly.

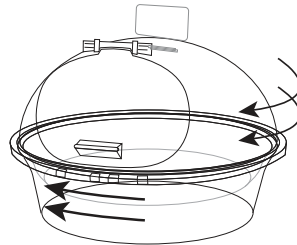
20190410



② Align dome tabs below lid with slots on tray.



③ **IMPORTANT:**
Once dome is aligned with tray, twist dome clockwise until dome does not twist any further. Dome can be removed by reversing the previous action.



④ **IMPORTANT:**
Please ensure dome is secured before finishing installation. Gently lift up on dome to ensure it is secured to the base.

